

SWASH-PLATE TYPE
AXIAL PISTON MOTOR

M7V series

M7V motor is a swash plate type axial piston motor suitable for construction machinery and other industrial equipment. The optimized rotary design allows for both high speed operation and smooth low speed operation.



M7V series

ADVANTAGES

High Speed Operation and Smooth Starting Characteristics

Optimized rotary balance design enables high-speed performance and excellent starting characteristics.

Low Speed Operation

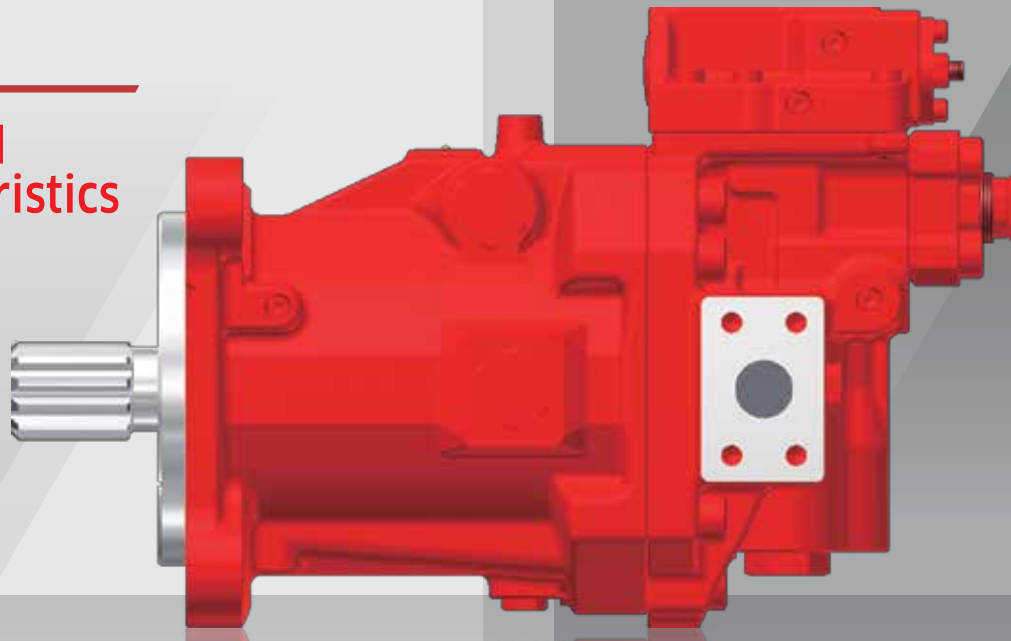
Superior performance in low speed operation provides very good controllability.

Long Bearing Life

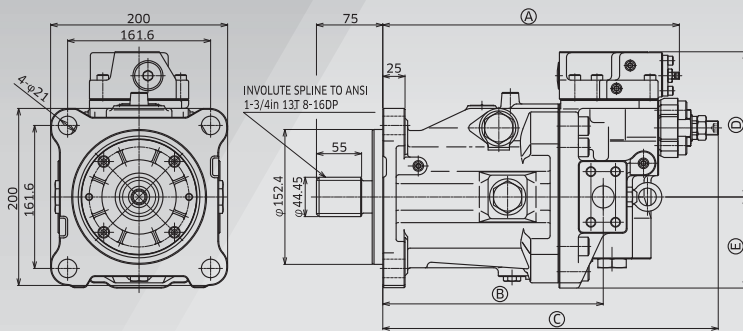
Swash plate configuration results in long bearing life.

Compact Size

Swash plate configuration enables the motor to be much more compact.

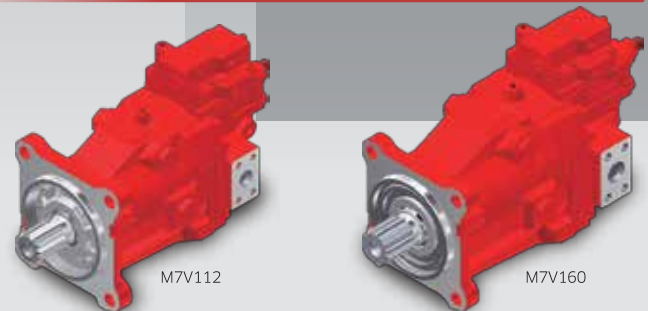


DIMENSIONS



in (mm)	A	B	C	D	E
M7V112	13.2 (336)	9.8 (249)	15.2 (385)	6.5 (164)	4.1 (103)
M7V160	13.2 (336)	9.8 (249.5)	16.0 (406)	7.1 (180)	4.4 (112)

LINEUP



Motor Model		M7V85 ⁽⁺⁾	M7V112	M7V160 ⁽⁺⁾
Displacement in ³ (cm ³)	q max	4.2-5.2 (68-85)	5.5-6.8 (90-112)	7.8-9.8 (128-160)
	q min	0-4.0 (0-65)	0-5.2 (0-85)	0-7.3 (0-120)
Pressure psi (bar)	Rated	5800 (400)		
	Max.	6525 (450)		
Max. Speed [min ⁻¹]	@ q max	3900	3550	3100
	@ q < 0.6 × q max	6150	5600	4900

q: Motor Displacement (+) Under development

Materials and specifications are subject to change without manufacturer's obligation.

Kawasaki Heavy Industries, Ltd.

Precision Machinery Company
<http://www.khi.co.jp/kpm/>

Tokyo Head Office

1-14-5, Kaigan, Minato-ku, Tokyo 105-8315, Japan
 Tel: +81-3-3435-6862 Fax: +81-3-3435-2023

Kobe Head Office

Kobe Crystal Tower, 1-3 Higashikawasaki-cho 1-chome, Chuo-ku, Kobe 650-8680, Japan
 Tel: +81-78-360-8607 Fax: +81-78-360-8609

Nishi-kobe Works

234, Matsumoto, Hasetani-cho, Nishi-ku, Kobe 651-2239, Japan
 Tel: +81-78-991-1160 Fax: +81-78-991-3186

Kawasaki Precision Machinery (UK) Ltd.

Ernesettle Lane, Ernesettle, Plymouth, Devon, PL5 2SA United Kingdom
 Tel: +44-1752-364394 Fax: +44-1752-364816
<http://www.kpm-eu.com>

Kawasaki Precision Machinery (U.S.A.), Inc.

3838 Broadmoor Avenue S.E. Grand Rapids, Michigan 49512, U.S.A.
 Tel: +1-616-975-3100 Fax: +1-616-975-3103
<http://www.kpm-usa.com>

Kawasaki Precision Machinery Trading (Shanghai) Co., Ltd.

17th Floor (Room 1701), The Headquarters Building, No168, XiZang Road (M), Huangpu District, Shanghai, 200001, China
 Tel: +86-21-3366-3800 Fax: +86-21-3366-3808

Flutek, Ltd.

98 GIL 6, Gongdan-Ro, Seongsan-Ku, Changwon-Si, Kyungnam, 51567, Korea
 Tel: +82-55-210-5900 Fax: +82-55-286-5557

Wipro Kawasaki Precision Machinery Private Limited

No. 15, Sy, No. 35 & 37, Kumbalgodu Industrial Area, Kumbalgodu Village, Kengeri Hobli, Bangalore, -560074, India



QR code
 Precision Machinery
 Company Website