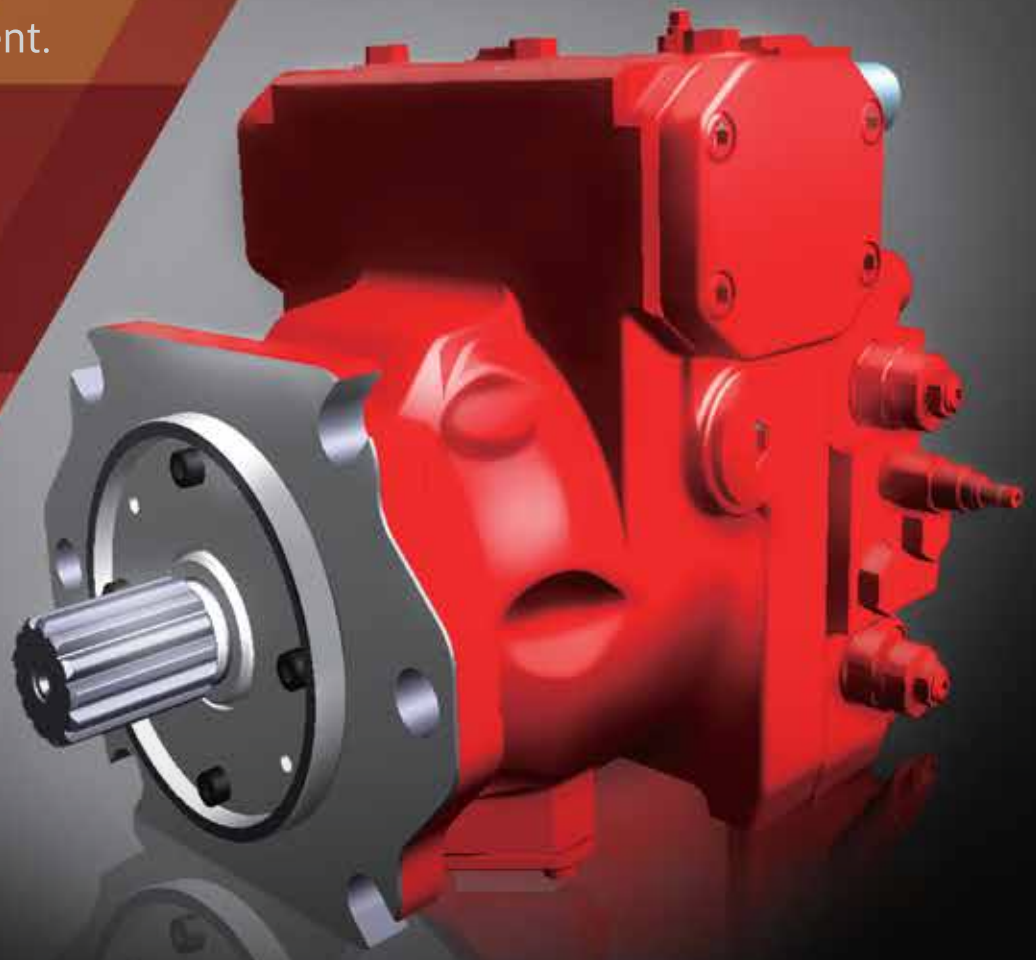


SWASH-PLATE TYPE
AXIAL PISTON PUMP

K8V

series

The K8V swash plate type axial piston pump is designed for closed circuit applications such as hydrostatic drives and other construction and industrial equipment.



K8V series

ADVANTAGES

High Efficiency and Low Noise

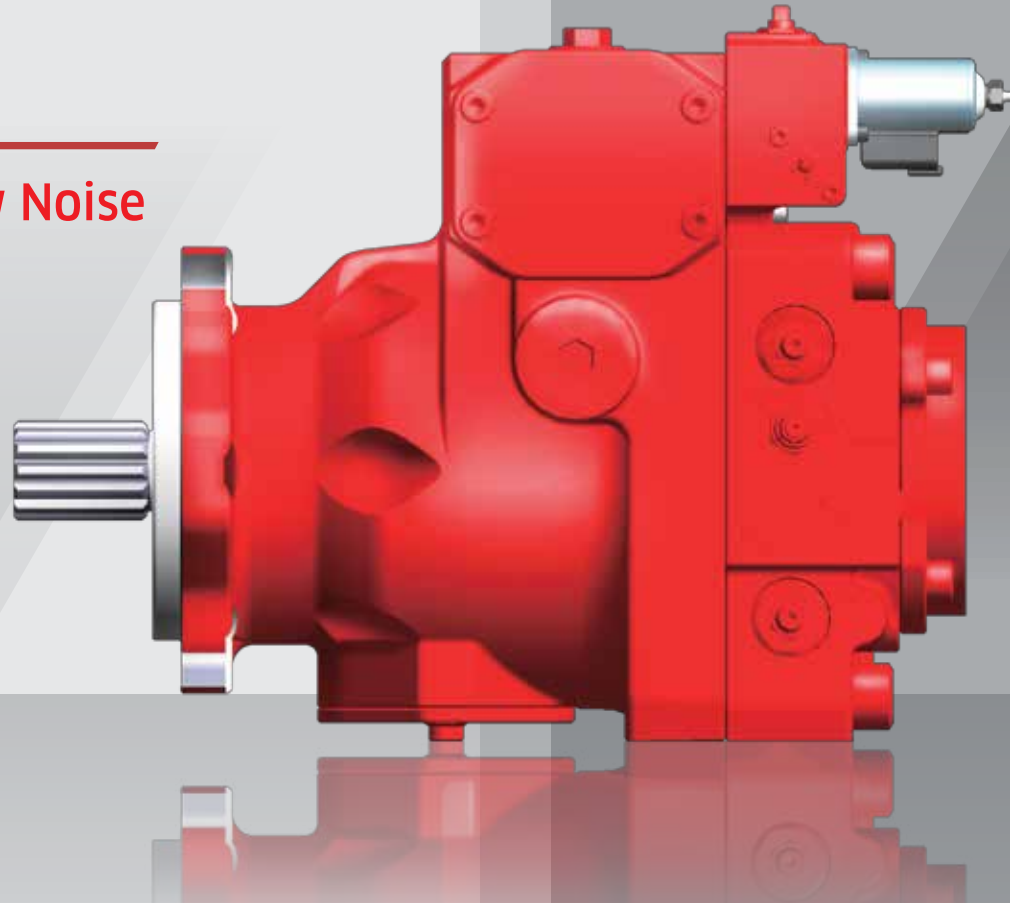
The best in class pump efficiency and low noise provides high fuel efficiency and comfortable operator environment.

Precise Flow Control

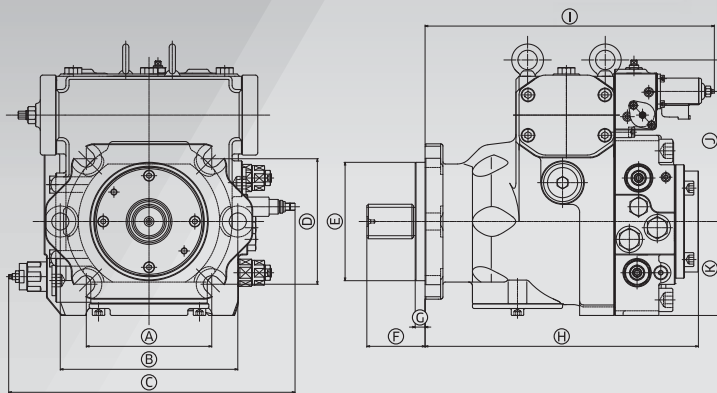
Flow rate is precisely controlled, even without angle sensor, by utilization of mechanical feedback structure.

Plenty of Accessories

The necessary functions for hydrostatic drive systems such as charge pump, high and low pressure relief valves, and high pressure cut-off valve are incorporated.

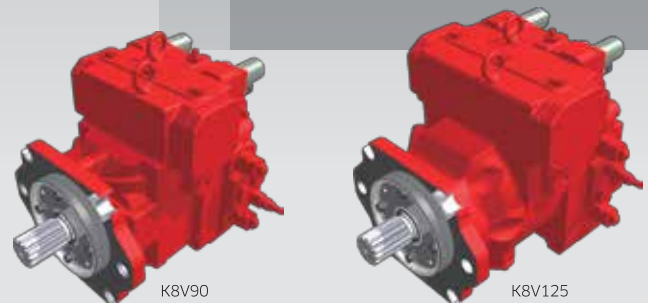


DIMENSIONS



in (mm)	A	B	C	D	E	F	G	H	I	J	K
K8V90	6.4 (161.6)	9.0 (228.6)	13.9 (354)	6.4 (161.6)	6.0 (152.4)	3.0 (75)	0.5 (12.7)	12.8 (326)	13.7 (347)	7.6 (193)	4.4 (113)
K8V125	6.4 (161.6)	9.0 (228.6)	14.5 (369)	6.4 (161.6)	6.0 (152.4)	3.0 (75)	0.5 (12.7)	13.9 (352)	14.7 (373)	8.2 (208)	4.8 (121)

LINEUP



Pump Model	K8V71(*)	K8V90	K8V125
Displacement in ³ (cm ³)	4.3 (71)	5.5 (90)	8.0 (130)
Pressure psi (bar)	Rated	5800 (400)	
	Peak	6525 (450)	
Max. Speed (min ⁻¹)	3300	3050	2850

(*) Under development

Materials and specifications are subject to change without manufacturer's obligation.

Kawasaki Heavy Industries, Ltd.

Precision Machinery Company
<http://www.khi.co.jp/kpm/>

Tokyo Head Office

1-14-5, Kaigan, Minato-ku, Tokyo 105-8315, Japan
 Tel: +81-3-3435-6862 Fax: +81-3-3435-2023

Kobe Head Office

Kobe Crystal Tower, 1-3 Higashikawasaki-cho 1-chome, Chuo-ku, Kobe 650-8680, Japan
 Tel: +81-78-360-8607 Fax: +81-78-360-8609

Nishi-kobe Works

234, Matsumoto, Hasetani-cho, Nishi-ku, Kobe 651-2239, Japan
 Tel: +81-78-991-1160 Fax: +81-78-991-3186

Kawasaki Precision Machinery (UK) Ltd.

Ernesettle Lane, Ernesettle, Plymouth, Devon, PL5 2SA United Kingdom
 Tel: +44-1752-364394 Fax: +44-1752-364816
<http://www.kpm-eu.com>

Kawasaki Precision Machinery (U.S.A.), Inc.

3838 Broadmoor Avenue S.E. Grand Rapids, Michigan 49512, U.S.A.
 Tel: +1-616-975-3100 Fax: +1-616-975-3103
<http://www.kpm-usa.com>

Kawasaki Precision Machinery Trading (Shanghai) Co., Ltd.

17th Floor (Room 1701), The Headquarters Building, No168, XiZang Road (N), Huangpu District, Shanghai, 200001, China
 Tel: +86-21-3366-3800 Fax: +86-21-3366-3808

Flutek, Ltd.

98 QIL 6, Gongdan-Ro, Seongsan-Ku, Changwon-Si, Kyungnam, 51567, Korea
 Tel: +82-55-210-5900 Fax: +82-55-286-5557

Wipro Kawasaki Precision Machinery Private Limited

No. 15, 5y, No. 35 & 37, Kumbalgodu Industrial Area, Kumbalgodu Village, Kengeri Hobli, Bangalore, -560074, India



QR code
 Precision Machinery
 Company Website