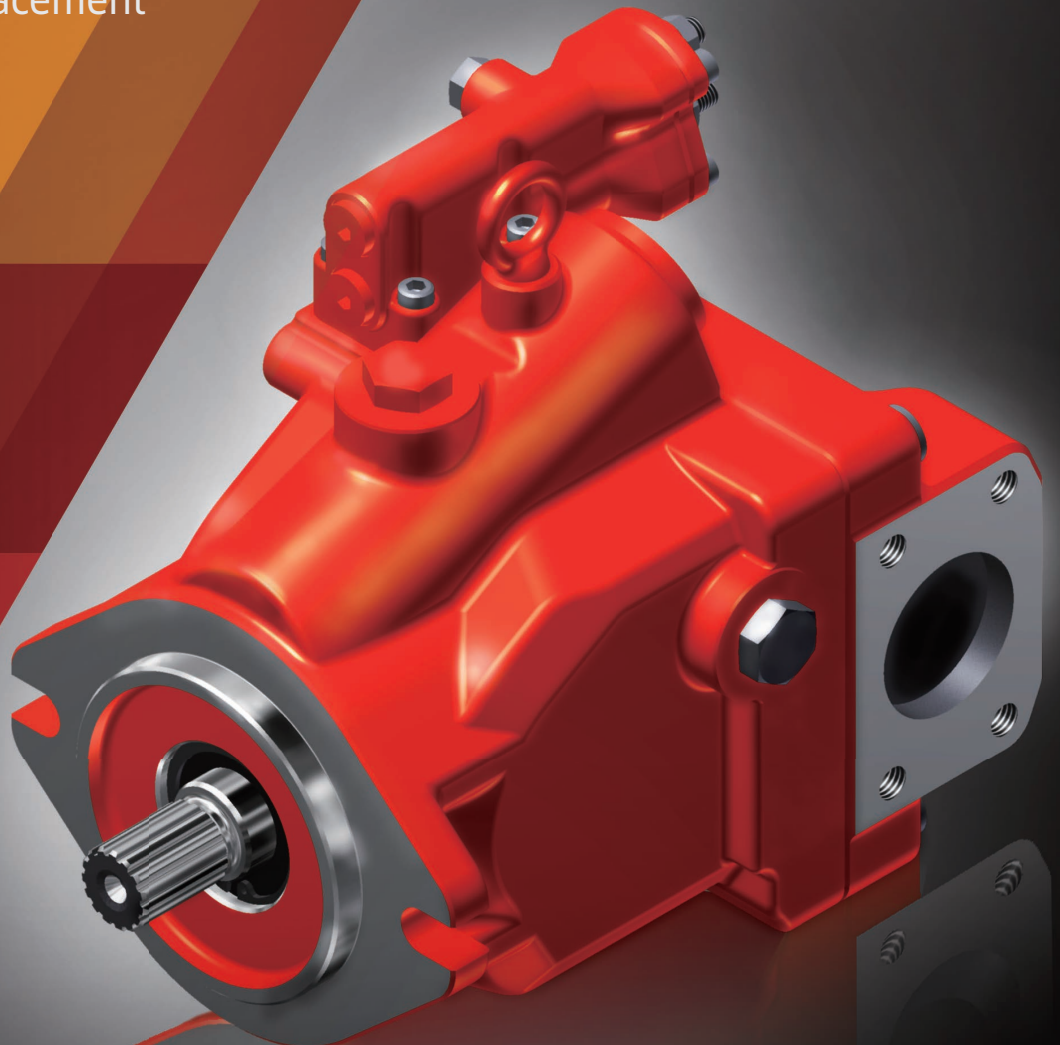


NEW MEDIUM DUTY PUMP

K3VLS

series

Suitable for machines and equipment using load sensing control system and/or electric displacement control system.



K3VLS series

ADVANTAGES

High Efficiency

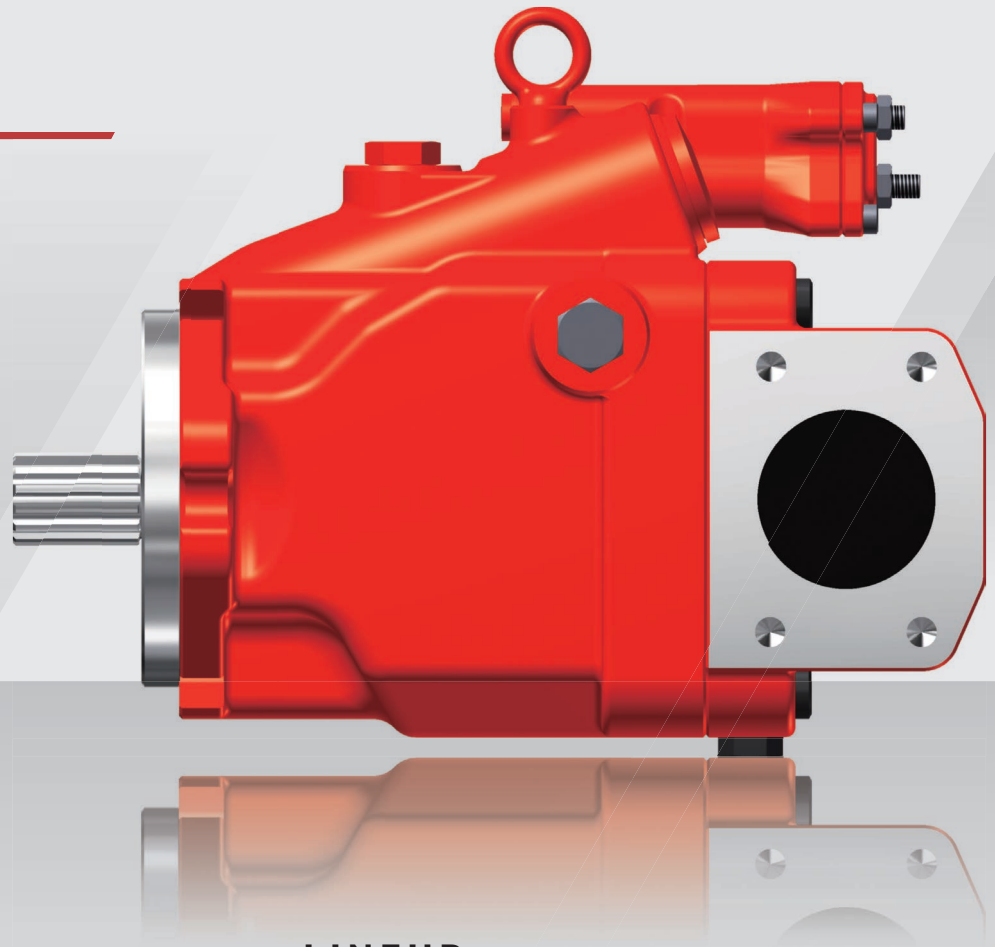
Our latest technology has achieved a compact and highly efficient rotary design. This contributes to a reduction in fuel consumption for the machine.

Compact and Light Weight

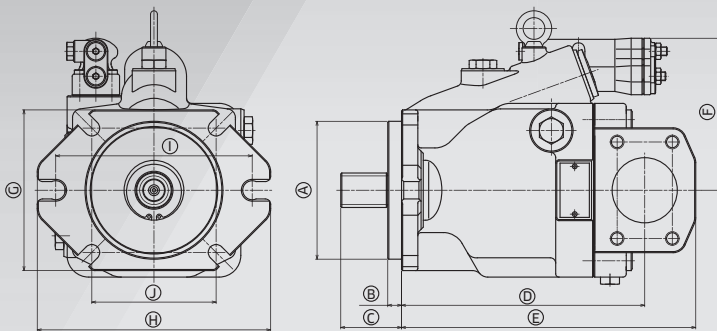
Compact and light weight design provides ease of installation.

Stable and Responsive Regulator Control

Stable and responsive regulator control achieves superior machine operating performance. K3VLS series is applicable to various hydraulic systems with load sensing control, horse power control, or electric displacement control regulators.

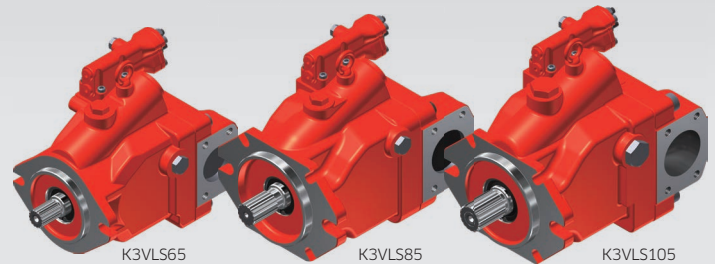


DIMENSIONS



in (mm)	A	B	C	D	E	F	G	H	I	J
K3VLS65	4.0 (101.6)	0.38 (9.7)	1.81 (46)	7.9 (201)	9.4 (239)	5.4 (137)	5.4 (136)	6.8 (172)	5.8 (146)	-
K3VLS85	5.0 (127)	0.50 (12.7)	2.20 (56)	8.8 (224)	10.7 (271)	5.5 (140)	5.8 (146)	8.5 (215)	7.1 (181)	4.5 (114.5)
K3VLS105	5.0 (127)	0.50 (12.7)	2.44 (62)	9.0 (228)	10.8 (274)	5.9 (149)	5.8 (148)	8.5 (215)	7.1 (181)	4.5 (114.5)

LINEUP



Pump Model	K3VLS50(*)	K3VLS65(*)	K3VLS85	K3VLS105(*)	K3VLS125(*)	K3VLS150(*)
Displacement in ³ (cm ³)	3.1 (50)	4.0 (65)	5.2 (85)	6.4 (105)	7.6 (125)	9.2 (150)
Pressure psi (bar)	Rated		4060 (280)			
	Peak		5875 (350)			
Max. Speed (min ⁻¹)	2600	2600	2500	2300	2200	2200

(*) Under development

Materials and specifications are subject to change without manufacturer's obligation.

Kawasaki Heavy Industries, Ltd.

Precision Machinery Company
<http://www.khi.co.jp/kpm/>

Tokyo Head Office

1-14-5, Kaigan, Minato-ku, Tokyo 105-8315, Japan
 Tel: +81-3-3435-6862 Fax: +81-3-3435-2023

Kobe Head Office

Kobe Crystal Tower, 1-3 Higashikawasaki-cho 1-chome, Chuo-ku, Kobe 650-8680, Japan
 Tel: +81-78-360-8607 Fax: +81-78-360-8609

Nishi-kobe Works

234, Matsumoto, Hasetani-cho, Nishi-ku, Kobe 651-2239, Japan
 Tel: +81-78-991-1160 Fax: +81-78-991-3186

Kawasaki Precision Machinery (UK) Ltd.

Ernesettle Lane, Ernesettle, Plymouth, Devon, PL5 2SA United Kingdom
 Tel: +44-1752-364394 Fax: +44-1752-364816
<http://www.kpm-eu.com>

Kawasaki Precision Machinery (U.S.A.), Inc.

3838 Broadmoor Avenue S.E. Grand Rapids, Michigan 49512, U.S.A.
 Tel: +1-616-975-3100 Fax: +1-616-975-3103
<http://www.kpm-usa.com>

Kawasaki Precision Machinery Trading (Shanghai) Co., Ltd.

17th Floor (Room 1701), The Headquarters Building, No168, XiZang Road (M), Huangpu District, Shanghai, 200001, China
 Tel: +86-21-3366-3800 Fax: +86-21-3366-3808

Flutek, Ltd.

98 GIL 6, Gongdan-Ro, Seongsan-Ku, Changwon-Si, Kyungnam, 51567, Korea
 Tel: +82-55-210-5900 Fax: +82-55-286-5557

Wipro Kawasaki Precision Machinery Private Limited

No. 15, Sy. No. 35 & 37, Kumbalgodu Industrial Area, Kumbalgodu Village, Kengeri Hobli, Bangalore, -560074, India



QR code
 Precision Machinery
 Company Website