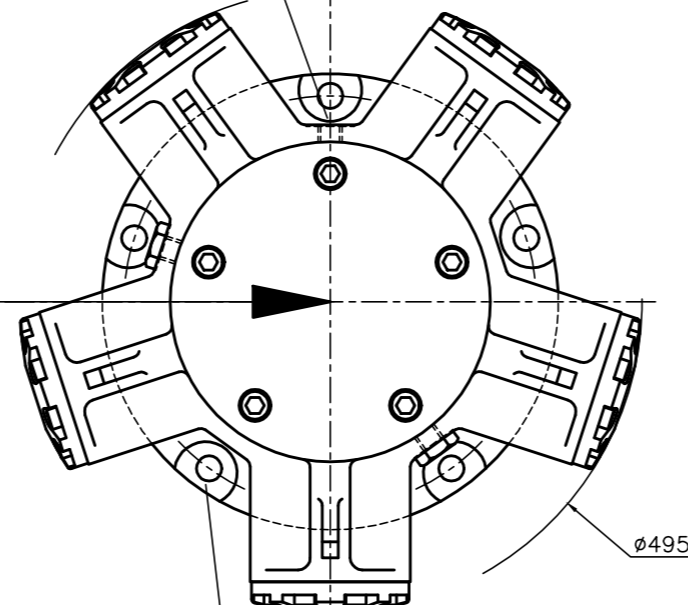


# HMB060/080

## VALVE HOUSINGS

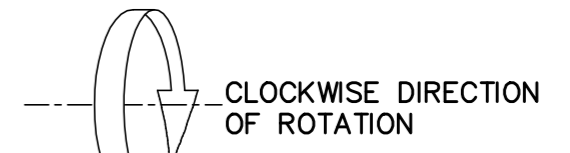
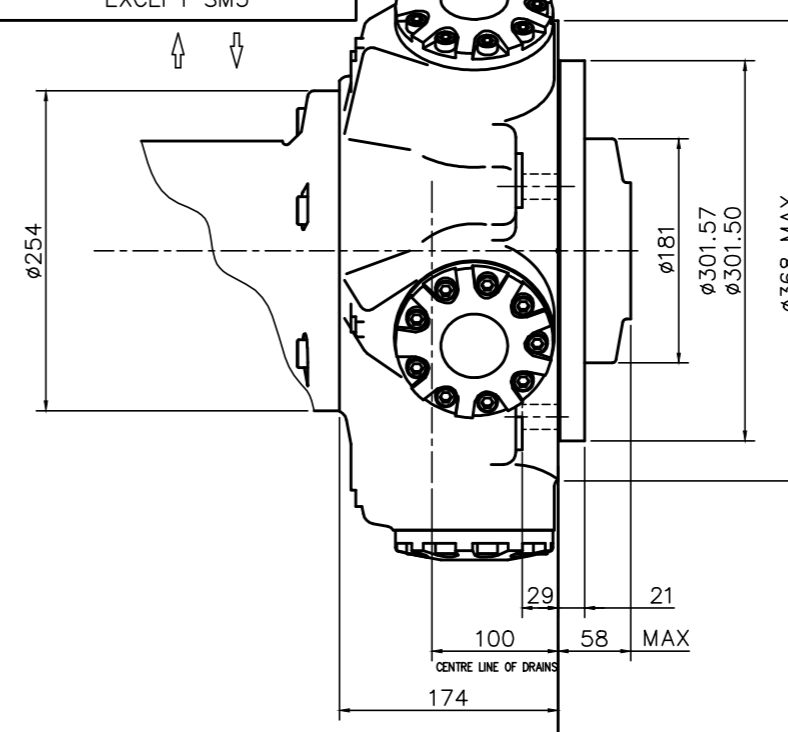
EXAMPLE FOR MODEL CODE -  
HMB080/P/FM3/70

3/4"-16UNF-2B DRAIN (CHOICE OF 3 POSITIONS)  
(2 NORMALLY PLUGGED)  
NOTE: - ENSURE ON INSTALLATION THAT DRAIN IS  
TAKEN FROM ABOVE MOTOR CENTRELINE.  
DO NOT EXCEED 12 DEPTH OF COUPLING  
IN TO DRAIN PORT



5 HOLES  $\phi 20$  EQUI-SPACED AS  
SHOWN ON A  $\pm 0.03$  P.C.D. SPOTFACED  
TO GIVE AN EFFECTIVE  $\phi 40$ .  
 $\pm 0.15$

REVERSE PORT CONNECTIONS  
FOR OPPOSITE DIRECTION OF  
SHAFT ROTATION  
FLOW DIRECTION FOR  
ALL VLV HSG VARIANTS  
EXCEPT SM3



MOUNTING FACE

S03 -  
3" VALVE HOUSING WITH  
6-BOLT FLANGE

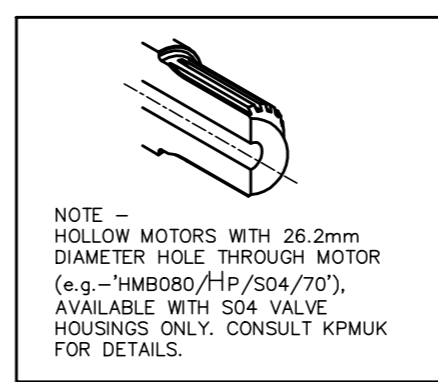
S04 -  
4" VALVE HOUSING WITH  
6-BOLT FLANGE

F3/FM3 -  
3" VALVE HOUSING WITH  
1 1/4" SAE 4-BOLT FLANGES  
PORT FLANGE BOLT TAPPING SIZE -  
F3: 7/16"-14 UNC-2B X 27 FULL THREAD DEPTH  
FM3: M12 X P1.75 X 27 FULL THREAD DEPTH

SM3 -  
3" VALVE HOUSING WITH 4 THRO' HOLES FOR  
MOUNTING A MANIFOLD BOLTED FROM BENEATH.

## SHAFTS

EXAMPLE FOR MODEL CODE -  
HMB080/P/FM3/70

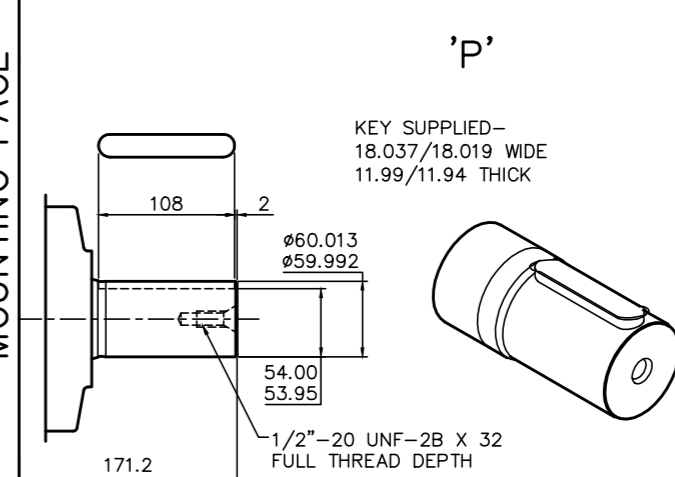
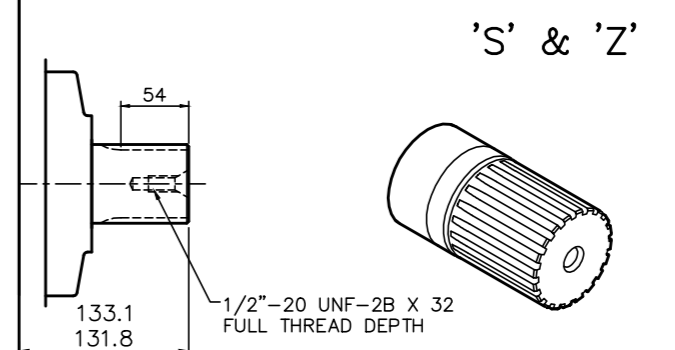
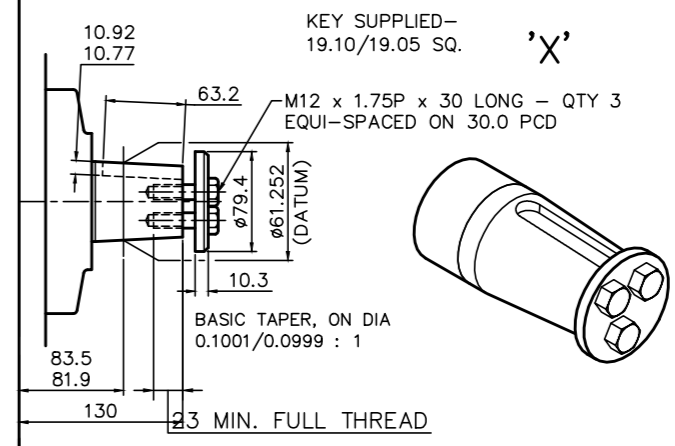
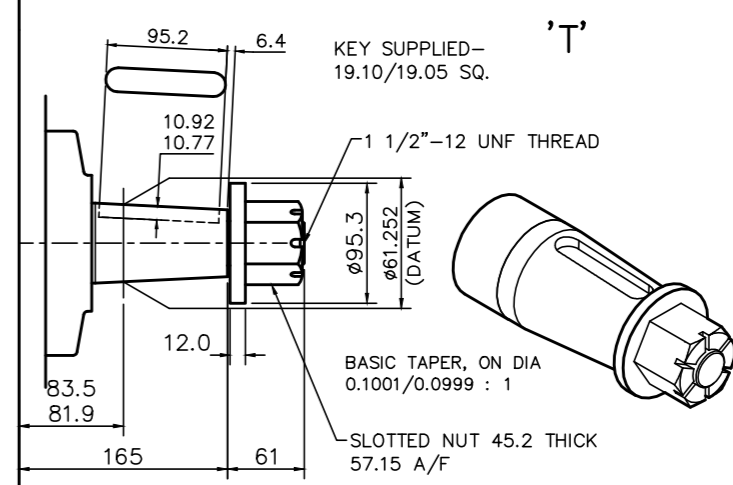


NOTE -  
HOLLOW MOTORS WITH 26.2mm  
DIAMETER HOLE THROUGH MOTOR  
(e.g. -HMB080/P/S04/70'),  
AVAILABLE WITH S04 VALVE  
HOUSINGS ONLY. CONSULT KPMUK  
FOR DETAILS.

### SPLINE DATA

'S'  
TO BS 3550 (ANSI B92.1 CLASS 5)  
FLAT ROOT SIDE FIT, CLASS 1  
PRESSURE ANGLE 30°  
NUMBER OF TEETH 14  
PITCH 6/12  
MAJOR DIAMETER 62.553/62.425  
FORM DIAMETER 55.052  
MINOR DIAMETER 54.084/53.525  
PIN DIAMETER 8.128  
DIAMETER OVER PINS 71.593/71.544

'Z'  
DIN 5480 W70 x 3 x 30 x 22 x 7h



MOUNTING FACE